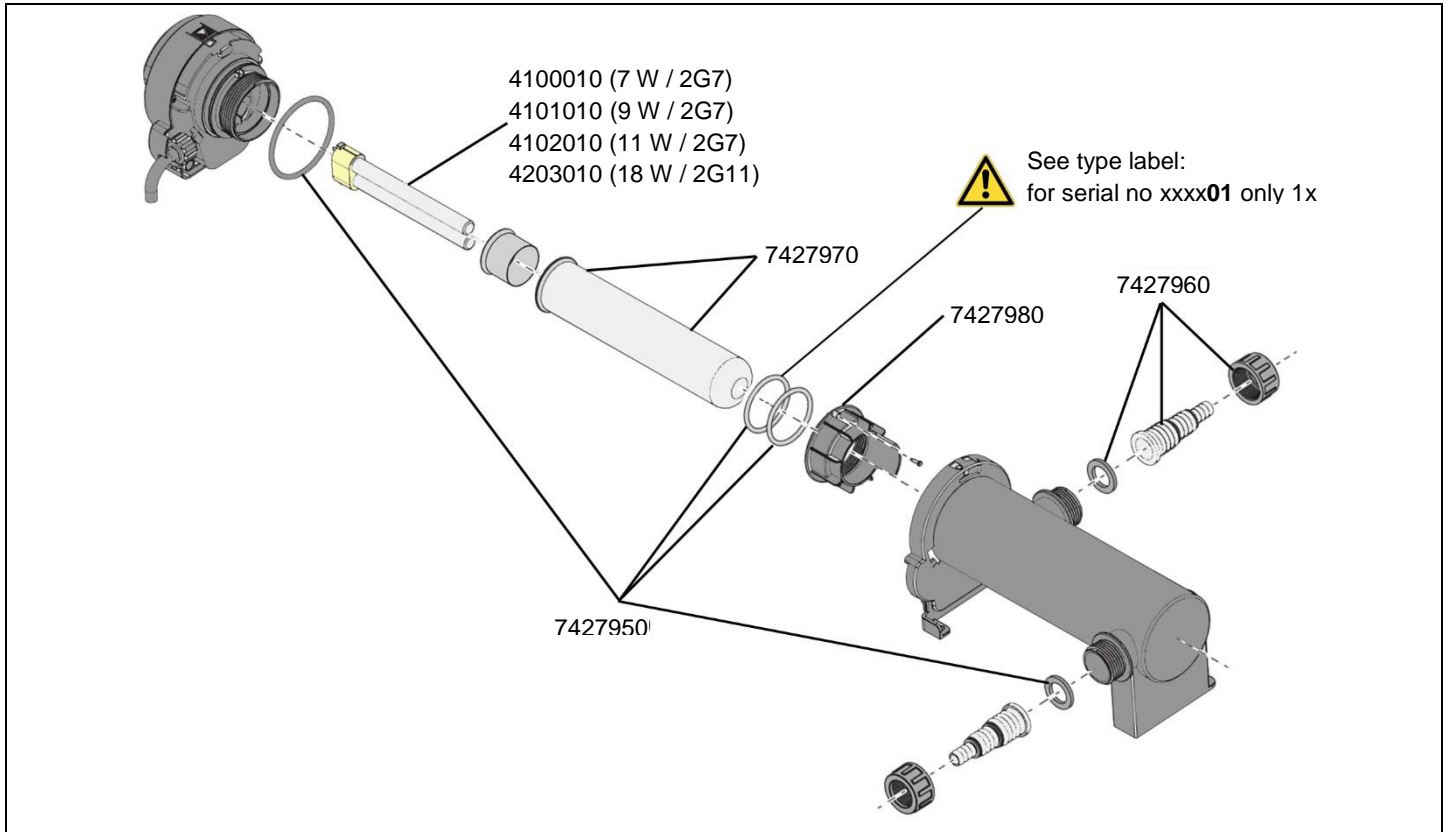


5300 UVC clarifier CLEARUVC7  
 5301 UVC clarifier CLEARUVC9  
 5302 UVC clarifier CLEARUVC11  
 5303 UVC clarifier CLEARUVC18



Order no.	Spare part
4100010	UVC-Spare lamp <b>GLOWUVC7</b> (7 Watt / 2G7) for <b>CLEARUVC7</b> , type 5300
4101010	UVC-Spare lamp <b>GLOWUVC9</b> (9 Watt / 2G7) for <b>CLEARUVC9</b> , type 5301
4102010	UVC-Spare lamp <b>GLOWUVC11</b> (11 Watt / 2G7) for <b>CLEARUVC11</b> , type 5102
4103010	UVC-Spare lamp <b>GLOWUVC18</b> (18 Watt / 2G11) for <b>CLEARUVC18</b> , type 5303

Order no.	Spare part
7427950	Set sealing rings consisting of: 1x for housing 2x for quartz tube <b>⚠ For serial no. xxxx01 only 1 piece</b> 2x for hose connector
7427960	Hose connector transparent for hose-Ø 1/2", 3/4" and 1", clamp ring and gasket
7427970	Quartz tube with reflector plate
7427980	Clamp ring and safety screw for Quartz tube